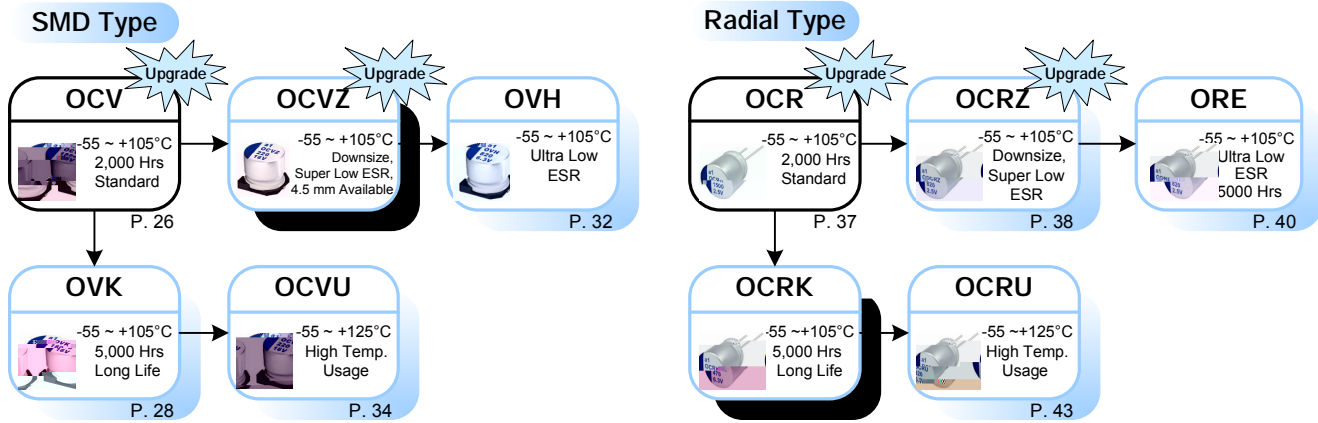


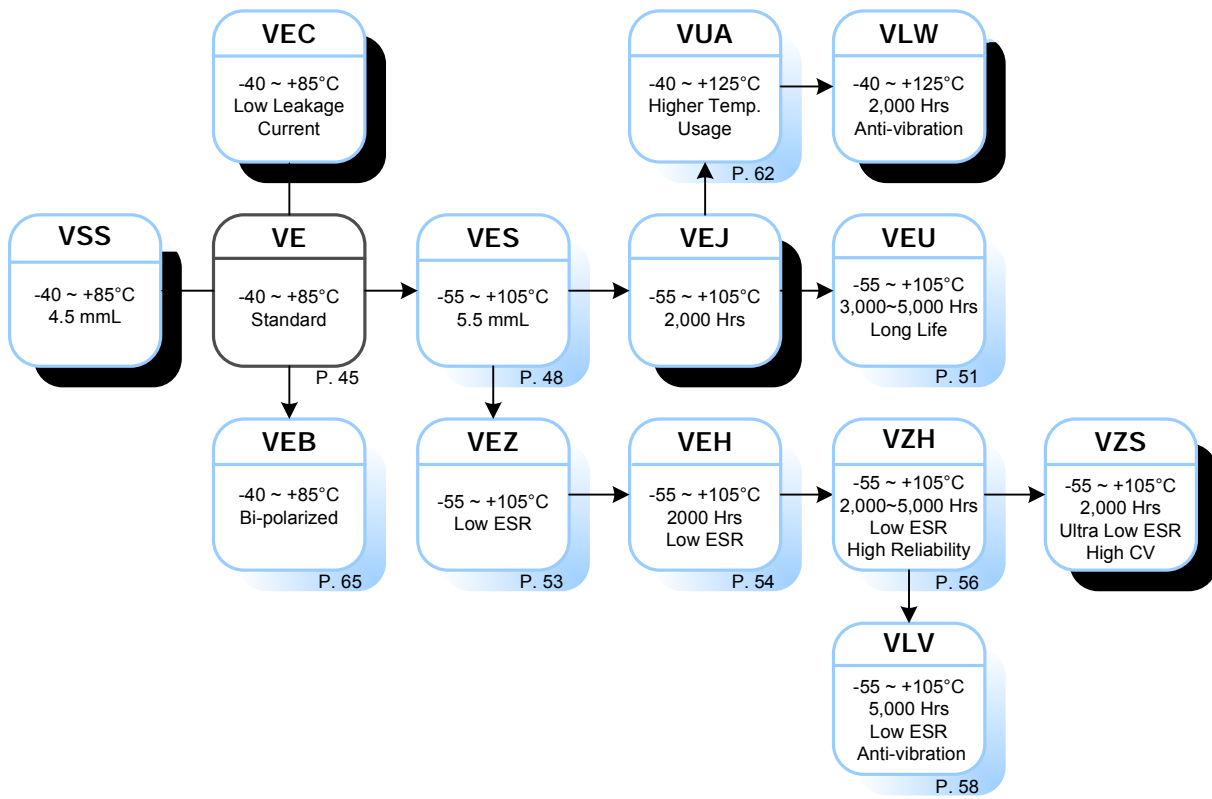
Product Group Chart



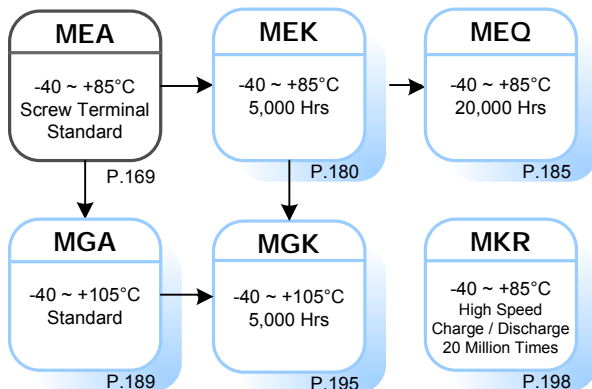
Organic Conductive Polymer Capacitors (OP-CAP)



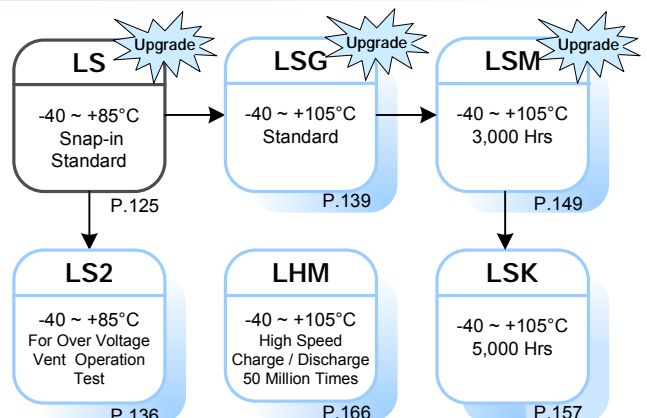
SMD Aluminum Electrolytic Capacitors



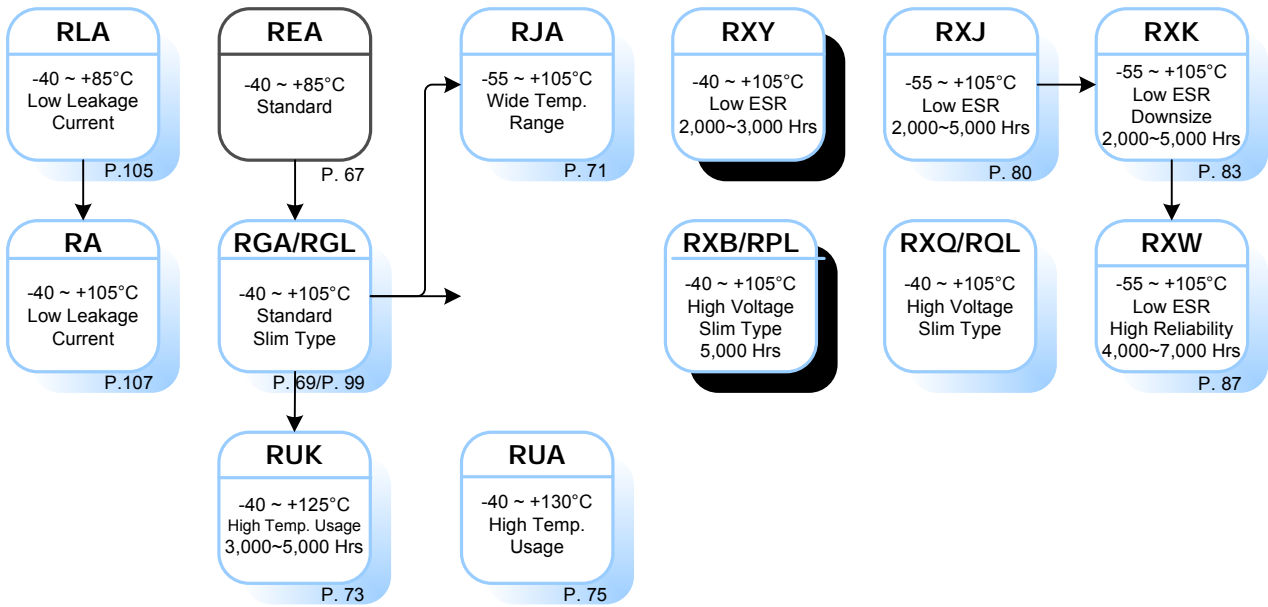
Screw Terminal



Snap-in Terminal



Radial Type



Radial-7 mmL and 5 mmL

